

## Specification

Product name	Philips smart drying rack SDR703
Product model	SDR703-YAW SDR703-YBW
Dimensions of product	2,400x522x200 mm
Dimensions of host	1,622x342x80 mm
Hole spacing of installation template	1,430x170 mm
Pole length	2,4 m
Dropping distance	0-1,200 mm
Input voltage	220V ~ 50Hz
Rated power of product	1,061 W
Rated power of LED lamp	16 W
Rated power of disinfection lamp	7 Wx2
Rated power of mite repeller	5 W
Rated power of air drying	13 Wx2
Rated power of heat drying	500 Wx2
Rated power of DC motor	60 W
Load capacity	35 kg
Operating temperature	-15~43°C
Operating humidity	10%~90% RH, (Non-condensing)
Noise	<55 dB

Note: please use CTN to search the product at Philips official website.

## Packing list

No.	Item	Qty	Unit	No.	Item	Qty	Unit
1	Host	1	PC	10	Rubber ring of poles	1	pack
2	Scissor frame assembly	2	set	11	Short poles with clips	4	sets
3	Clothes pole	2	PC	12	Cross bar	6	PC
4	Bed sheet pole	2	PC	13	Set screw for scissor frame	2	PC
5	Remote control	1	PC	14	M8 expansion screw	4	set
6	End cover	2	PC	15	User manual/Warranty card	1	PC
7	Cover of joint bar	4	PC	16	Quality certificate	1	PC
8	Joint bar	4	PC	17	Installation template	1	PC
9	Cover of pole seat	4	PC				

Please check carefully after unpacking. If there is any item missing, please make timely contact with Philips or Philips authorized service center to obtain it.

反折

## Network configuration

Press "Up" and "Down" at the same time, there will be 4 continuous beeps, suggesting the network configuration mode has been activated. Please follow instructions on APP to complete network configuration.



Scan to download APP

## Offline voice control

SDR703 supports offline voice control. No need to connect to the Internet, just say a simple command "Hi Feiya" or "Hi Philips" to wake up the drying rack to work. You can also control the lifting, lighting, disinfection, air drying and other functions of the drying rack through specific commands, making the operation simple and convenient.

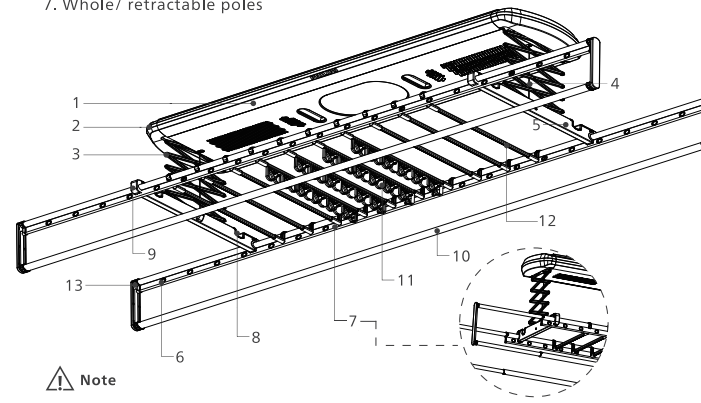
## Notice to users

- ◆ Ceiling for installation should be solid enough to have expansion screws firmly fixed.
- ◆ For your safety, please make sure the power supply is grounded and only use power supply indicated on this product. Do not use power supply cable smaller than 0.75 mm<sup>2</sup>.
- ◆ To ensure normal operation of the product, please make sure the host is installed at places away from leaking and rain.
- ◆ Do not use the product during thunderstorms.
- ◆ Do not put hands or any other objects into scissor frame when the drying rack is running up or down.
- ◆ For your health and safety, do not look directly at UVC lamps. Thanks for your cooperation.
- ◆ If batteries are not used for a long period of time, it is recommended to remove it from remote control in case of leakage and damage. Avoid using old batteries with new ones.
- ◆ For any maintenance, do not disassemble the product by yourself. Please contact Philips or Philips authorized service centers.
- ◆ Service life of UVC lamps is 8000 hours. Actual service life may differ according to different use conditions.
- ◆ If the power cord is damaged, it must be replaced by a professional from the manufacturer or its designated maintenance center.
- ◆ Power connections must be made by an electrical professional. The protection level of this product for touching energized parts is Class 1, and a leakage protection switch with large opening distance (contact opening distance of more than 3 mm) and 30 mA all-pole disconnection must be installed in the power supply line.

正折

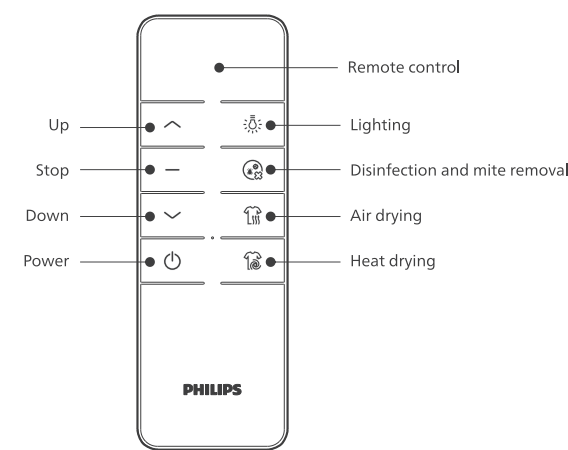
## Product overview

1. Host
2. End cover of host
3. Scissor frame
4. Wire rope
5. Pole seat
6. Rubber ring of clothes poles
7. Whole/ retractable poles
8. Base of bed sheet pole
9. End cover of pole seat
10. Whole/ retractable bed sheet pole
11. Clip
12. Cross bar
13. Joint bar



Note  
The pictures are for reference only, the actual product shall prevail.

## Remote control instruction



反折

Up	Press to lift the drying rack. The rack will stop automatically at top (upper limit).
Stop	Press to stop the lifting or descending drying rack.
Down	Press to drop the drying rack. The rack will automatically stop at bottom (lower limit).
Power	Power up the drying rack or cut power off.
Lighting	Press to turn on LED lamp. Press again to turn it off. LED lamp will turn off automatically after 2 hours if not being turned off manually.
Disinfection and mite removal	<ul style="list-style-type: none"> <li>◆ Instant disinfection and mite removal: press and the drying rack will rise to the top and start disinfection and mite removal. Press again to stop it. Disinfection and mite removal process will stop automatically after 37.5 minutes if not being stopped manually.</li> <li>◆ Delayed-start disinfection and mite removal: press the button for more than 5 seconds. A long beep indicates the delayed-start mode is successfully turned on. The drying rack automatically rises to top and will start disinfection and mite removal after 8 hours. Disinfection and mite removal will stop automatically after 37.5 minutes if not being stopped manually.</li> <li>◆ Press "Disinfection and mite removal" or "Down" to turn off disinfection or mite removal and delayed-start function.</li> </ul>
Air drying	<ul style="list-style-type: none"> <li>◆ Standard mode: press "Air drying", the drying rack will automatically rise to top and start air drying. Press again to stop it. Air drying will stop automatically after 2 hours if not being stopped manually.</li> <li>◆ Enhanced mode: long press "Air drying" for 5 seconds, there will be a long beep, indicating the drying rack has entered into enhanced mode. The rack will automatically rise to top to start heat drying. Press "Heat drying" again to stop it. Air drying will stop automatically after 4 hours if it's not stopped manually.</li> <li>◆ Press "Air drying" or "Down" can both shut air drying off.</li> </ul>
Heat drying	<ul style="list-style-type: none"> <li>◆ Standard mode: press "Heat drying", the drying rack will automatically rise to top and start heat drying. Press again to stop it. Air drying will stop automatically after 2 hours if not being stopped manually. 20 seconds after which the fans will also stop working.</li> <li>◆ Enhanced mode: long press "Heat drying" for 5 seconds, there will be a long beep, indicating the drying rack has entered into enhanced mode. The rack will automatically rise to top to start heat drying. Press "Heat drying" again to stop it. Air drying will stop automatically after 4 hours if not being stopped manually. 20 seconds after which the fans will also stop working.</li> <li>◆ Press "Heat drying" or "Down" can both shut air drying off.</li> </ul>



### Kind reminder:

This user manual is used as a guide. The photos, pictures, or illustrations provided in the manual are for explanation purposes, which may differ from the specific product, please refer to the actual product. Due to product version upgrade or other needs, Philips may update this manual timely without notice. If you need the latest version of the manual, please download it from the Philips website (www.philips.com/support). The copyright of any part from this manual, including text, pictures or illustrations, belongs to Philips. Without written permission, no corporation or individual may extract, copy, translate, or modify all or part of this manual in any way. Unless otherwise agreed, Philips does not make any express or implied representations and guarantees.

Shenzhen Yunyue Intelligent Technology Co., Ltd.  
Address: Room 901, Block A, Huahan Innovation Park, Langshan Road, Nanshan District, Shenzhen, Guangdong, P.R.C.  
Philips and the Philips Shield Emblem are registered trademarks of Koninklijke Philips N.V. and are used under license.

This product has been manufactured by and is sold under the responsibility of Shenzhen Yunyue Intelligent Technology Co., Ltd. and Shenzhen Yunyue Intelligent Technology Co., Ltd. is the warrantor in relation to this product.

To get product related support, please go to: www.philips.com/support.

正折

## Installation instruction

### Preparation

1. Please prepare following tools before installation, including cutting pliers, hammer, Phillips screwdriver, 10-14# wrench, utility knife, tape measure, insulating gloves, insulating tape, marker, etc.

2. Choose a proper location for installing the drying rack and decide host direction.

### Fix expansion screws

1. If the chosen location is installed with lamp, turn it off and remove it first.
2. Measure dimension and mark the installation location on ceiling.
3. As shown in Figure 1, paste the installation template on marked location at ceiling, then use a marker to mark out four holes.
4. As shown in Figure 2, drill 4  $\phi 10 \times 60$  mm holes, fix and tighten expansion screws with a wrench. Loosen nuts of two expansion screws at one side and keep about 5 mm distance between washer and nut. Remove nuts and washers of 2 expansion screws on the other side.

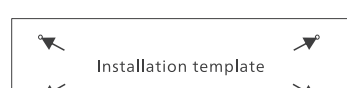


Figure 1

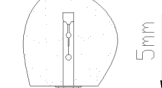


Figure 2

### Install host

1. As shown in Figure 3, carefully hold the host and fix it with expansion screws and fasten nuts.
2. Connect power cables correctly. (Note: connect brown wire of host power cable to live wire, blue to neutral wire, yellow and green to grounding wire), then wrap the connected wires with insulating tape and put it in the gap between host and the ceiling.

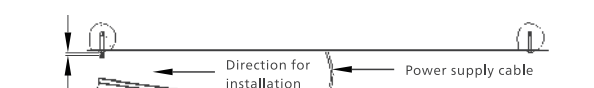


Figure 3

### Install scissor frame

1. As shown in Figure 4, buckle pulley of scissor frame into the chute of mounting plate and lock it with screws.

2. As shown in Figure 5, pass the wire rope through positioning ring, then place the end part of wire rope in retainer and lock it with retainer cover.

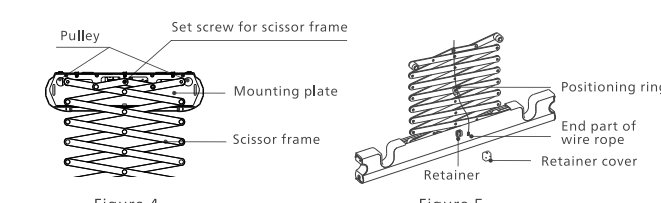


Figure 4

Figure 5

### Install clothes pole and sheet pole

1. As shown in Figure 6, remove screws from pole seat, align the vacant position of the clothes pole with the support plate, and fix with screws.
2. As shown in Figure 7, unfasten bolt from pole cover assembly and mount each part in following order: screw plug, cover of clothes pole or bed sheet pole, joint bar and washer. Fix all with set screw and put on cover of joint bar.

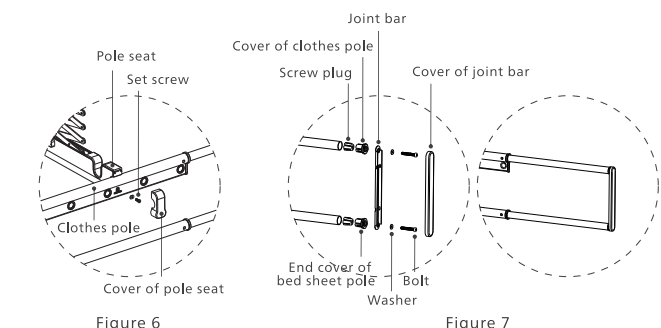


Figure 6

Figure 7

3. As shown in Figure 8, take bed sheet pole down when you need to dry bed sheet.
4. As shown in Figure 9, when the bed sheet pole is not needed, it can be folded and put back to pole seat.

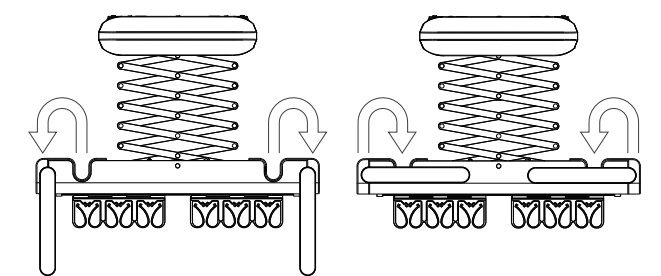


Figure 8

Figure 9

反折

## Remote control programming instruction

- ◆ Program the remote control before use it.
- ◆ Programming: unplug host power and re-plug it after 10 seconds, after which the buzzer will have a long beep. Following the beep, press "Up" and "Down" at the same time and the buzzer will beep for 3 times, indicating successful programming.

## Function test instruction

- ◆ Down: press "Down" and observe whether the drying rack can automatically stop after dropping at 1.1 m.
- ◆ Up: press "Up" and observe whether the drying rack can automatically stop after reaching to the top.
- ◆ Lighting: press "Lighting" and observe whether the LED lamp can be turned on and off normally.
- ◆ Disinfection: press "Disinfection" and observe whether the UVC lamps work normally.
- ◆ Air drying: press "Air drying" and observe whether air drying function works normally.
- ◆ Heat drying: press "Heat drying" and observe whether the heat drying function works normally.
- ◆ Push to lift: slightly push pole or pole seat upward, then let go and see whether the drying rack will automatically rise.
- ◆ Hold to stop: hold up the dropping pole or pole seat of the drying rack to observe whether it stops immediately.

## Troubleshooting

Failure	Possible reasons	How to solve
Remote control does not work	The host is not powered; low battery of remote control; remote control is not programmed.	Power on host; replace batteries of remote control; re-program remote control
Drying rack stops suddenly during running	Drying rack encounters resistance and triggers obstacle detection switch; motor's self-protection from overheating.	Remove objects causing resistance; wait for motor to cool down before start it again
LED lamp doesn't work	The host is not powered; LED lamp is damaged.	Power up the host; replace LED lamp.

正折

## Warranty card

Relevant information			
User name	Contact of user		
Address of user			
Product name	Model of product		
Serial number	Invoice No.		
Seller name	Date of sales		
Seller address			
Maintenance records			
Date	Issue	Maintenance staff	User signature

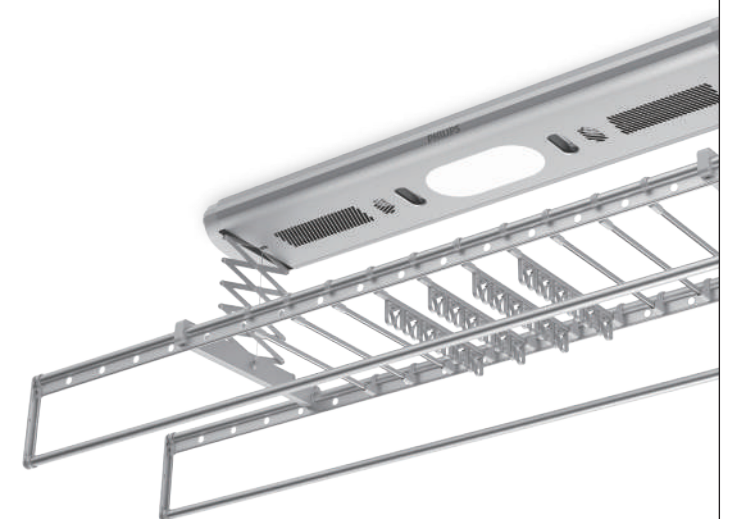
反折

PHILIPS

7000 Series

Smart drying rack

SDR703



## User manual

Please read this user manual carefully before using this product. Thank you for purchasing Philips-branded products. For your safety, please read this user manual carefully before using the product. Any personal injury, property or other loss caused by not following the user manual or precautions, no liability will be assumed by Philips.

PHILIPS		比例	1:1
		尺寸	100*200mm (成型)
名称	飞利浦SDR703智能晾衣架 用户手册	颜色	黑色 (COMOYK90)
		材料	105g双铜纸
日期	2023. 8. 8	设计	冯泽丹